



CRYOTREE™

0 - 400 psig

A CIRCOR CRYOGENICS COMPANY

Rockwood Swendeman

SAFETY RELIEF VALVE SUB-ASSEMBLY

Features

- Dual safety relief systems engineered for maximum safety and reliability
- Easy system installation
- Includes high capacity safety relief valves, full flow diverting valve, rupture discs, bleed valves, and related piping assembled
- Standardized components
- Low maintenance
- Eliminates the need to shut down and evacuate the tank for service
- Minimizes pressure drop in system
- Medical level O₂ cleaning in conformance with CGA G-4.1
- Sealed in 6 mil poly bags to eliminate contamination prior to installation
- Handle indicates flow direction

Applications

- On stationary cryogenic storage tanks to isolate safety relief valves and rupture discs in the event they need to be serviced

Rockwood Swendeman's CryoTree™ assemblies are manufactured for use on stationary cryogenic storage tanks to isolate safety relief valves and rupture discs in the event they need to be serviced. Utilizing this system eliminates the need to shut down and evacuate the tank for service. This modular assembly provides for just a single connection to the internal tank piping.

Technical Data

Temperatures-423°F to 400°F
 Set Pressuresto 400 psig

Materials

BodyBronze B61
 End PlateBronze B61
 BallBronze
 Stem316SS

Tests

Hydrostatically tested as a complete unit to assure leak tightness

Sizes

Available in 3/4 inch F to 1 inch F

Applicable Codes

Designed and manufactured to meet:

- CGA S-1.2 and S-1.3.
- ASME Sec.VIII
- API 527
- AD -Merkblatt A2
- ANSI B31.3, B16.34

HIGH FLOW DIVERTER VALVE CV VALUES*

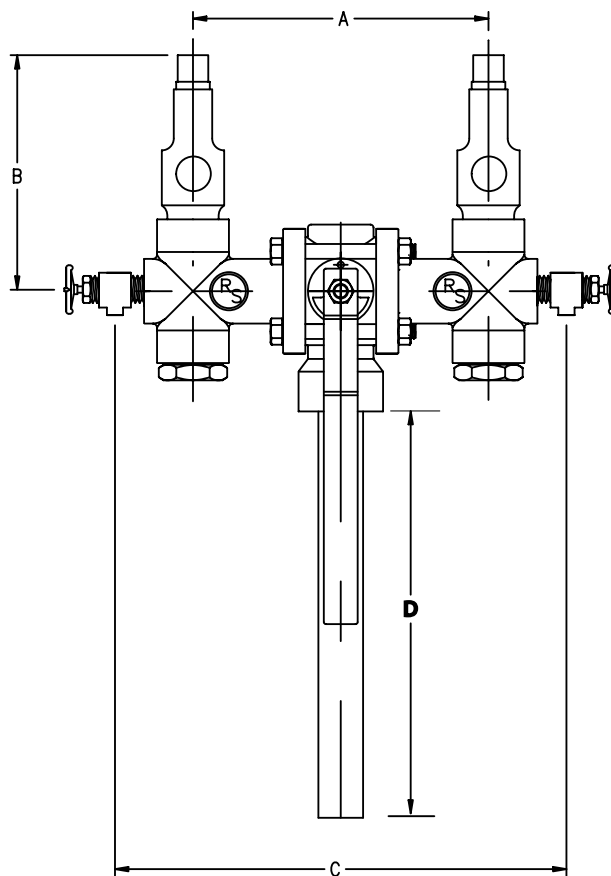
Size (inches)	Safety Relief Valve Outlet		Rupture Disc Outlet	
	CV@ mid position (90°)	CV@ full open (180°)	CV@ mid position (90°)	CV@ full open (180°)
¾F	9.2	8.2	10.7	8.1
1F	25.3	18.3	16.4	14.0

Flows may vary slightly due to outlet connection sizes.

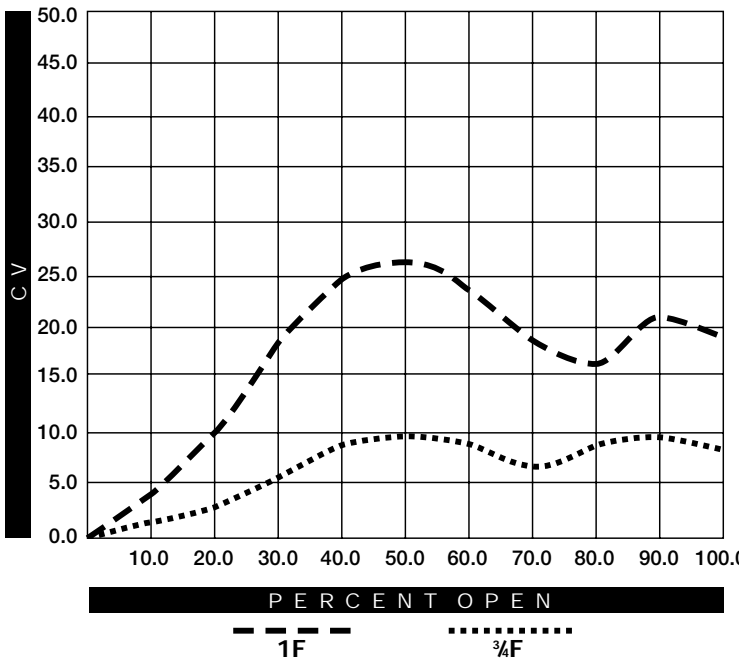
DIMENSIONS - INCHES

SIZE	A	B	C
¾F	5.9	22.5	14.8
1F	8.7	25.7	16.5

Dimensions for reference only.

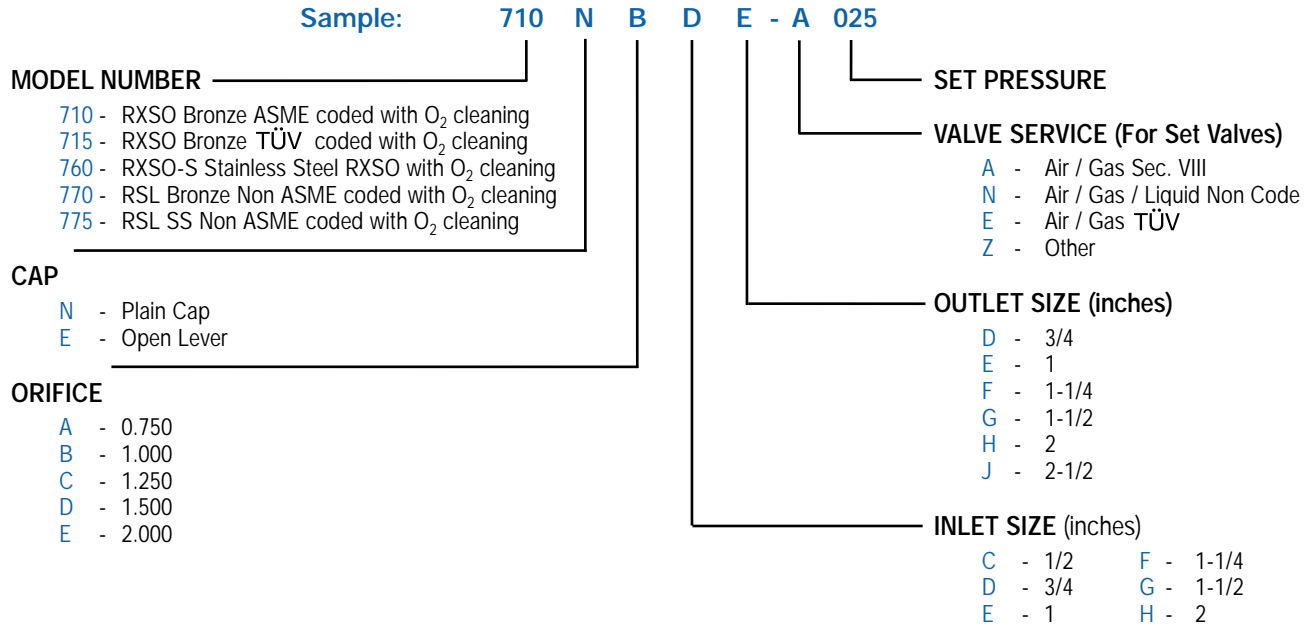


HIGH FLOW DIVERTER VALVE Cv GRAPH



SAFETY RELIEF VALVES

How To Order



DIVERTER AND CRYOTREE™

How To Order

