



DIVERTER VALVE

0 - 600 psig



FULL FLOW DIVERTER VALVE

Technical Data

Operating Ranges

Temperatures-423°F to 400°F

Set Pressuresto 600 psig

Materials of Construction

BodyBronze B61

End PlateBronze B61

BallBronze

Stem316SS

SeatsMTFE

Body SealsTFE

Stem SealsCTFE

Stem BearingTFE

Bellville Wsh17-7 SS

External Hdwe300 Series SS

Sizes

Available in 3/4 inch F to 1 inch F

Applicable Codes

Designed and manufactured to meet:

- ANSI B31.3, B16.34

Features

- Engineered for maximum safety and reliability
- Full flow manifold ends
- Medical level O₂ cleaning in conformance with CGA G-4.1
- 180 degree operation
- Handle indicates flow direction
- Low maintenance
- Blow out proof stem
- V-ring stem packing
- All stainless externals

Applications

- Dual safety relief systems
- Stationary cryogenic tanks
- Manifolding
- Distribution systems
- Process systems
- Liquid and Gaseous Cryogenic Applications

Dimensions & Characteristics

DIVERTER VALVE

HIGH FLOW DIVERTER VALVE CV VALUES*

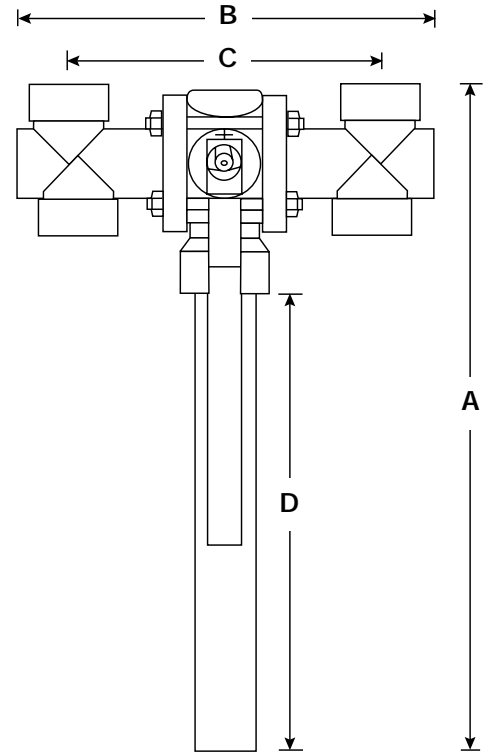
Sizes (inches)	Safety Relief Valve Outlet		Rupture Disc Outlet		Torque
	CV@ mid position (90°)	CV@ full open (180°)	CV@ mid position (90°)	CV@ full open (180°)	Max. Value
¾F	9.2	8.2	10.7	8.1	200 in. lbs.
1F	25.3	18.3	16.4	14.0	300 in. lbs.

* Flows may vary slightly due to outlet connection sizes.

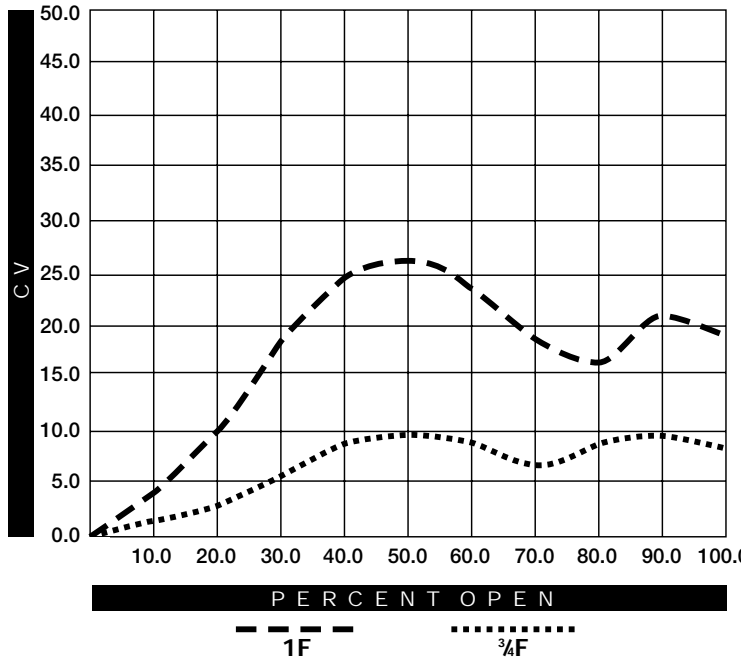
DIMENSIONS (inches)

Size	A	B	C	D
¾F	13.00	9.38	7.25	7.75
1F	17.66	11.61	8.73	12.00

Dimensions for reference only



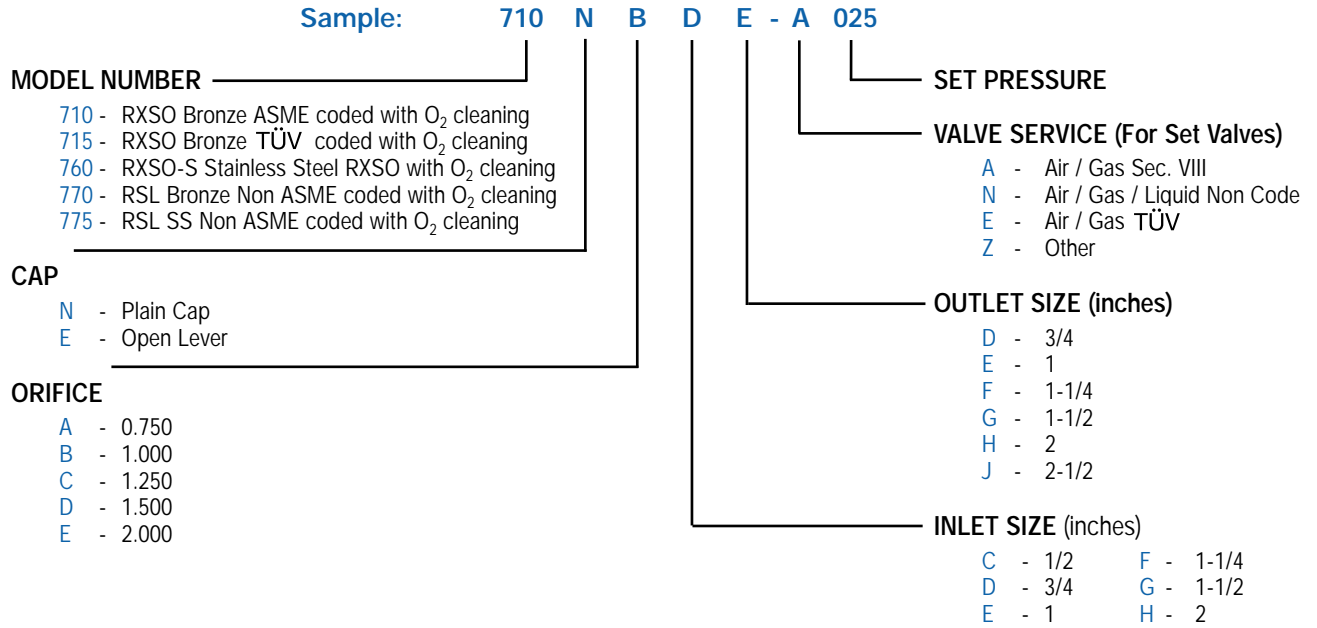
HIGH FLOW DIVERTER VALVE Cv GRAPH



TO ORDER: See Page 14

SAFETY RELIEF VALVES

How To Order



DIVERTER AND CRYOTREE™

How To Order

